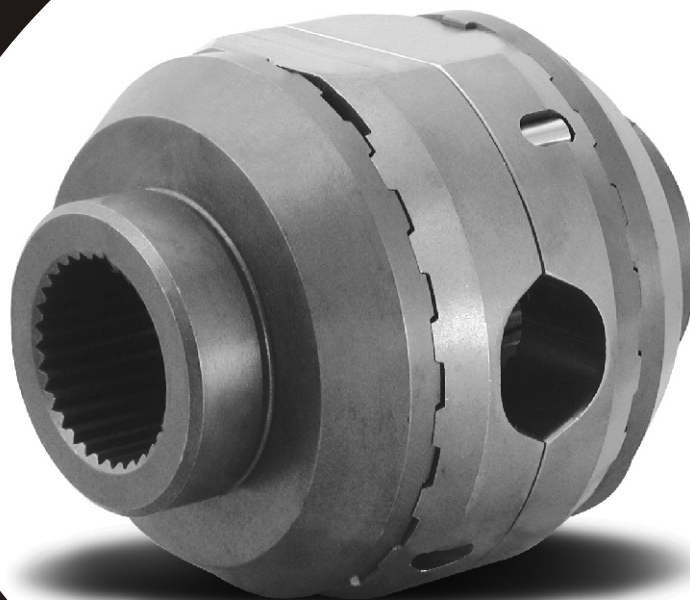


# ***Detroit E-Z Locker***<sup>®</sup>

***Non-Stop  
Traction!***

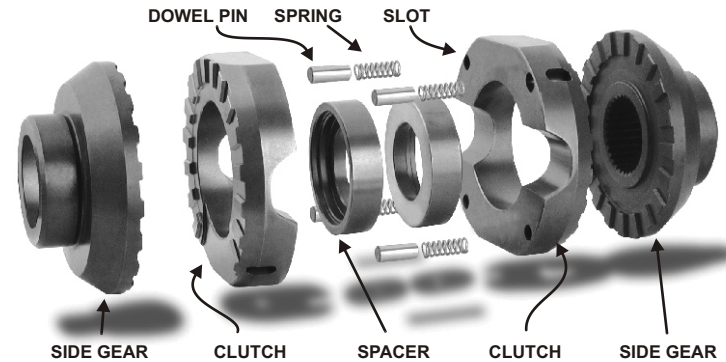


***Easy on the Budget!***

***Detroit E-Z Locker***<sup>®</sup>

# AFFORDABLE TRACTION!

- *Automatic Locking Action*
- *Easy Installation*
- *Low Price*
- *Numerous Applications*
- *Uses Existing Parts*
- *One Year Warranty*



It doesn't get any easier than this! The Detroit E-Z Locker delivers automatic positive locking action at a price designed to fit any budget. This quality differential from Tractech (home of the legendary Detroit Locker), was created to supply the occasional off-roader with low cost traction without sacrificing the security that superior parts provide.

The Detroit E-Z Locker lets your vehicle drive when one wheel loses traction - even if one wheel gets hung up in the air. Fully automatic, this unit compensates for wheel travel and speed when turning. By eliminating individual wheel spin you'll greatly reduce your chances of getting stuck in mud, snow and ice.



® Detroit E-Z Locker® is a registered trademark of Tractech, Inc.



**800-328-3850 • [www.tractech.com](http://www.tractech.com)**

Tractech Inc. • 11445 Stephens Drive • Warren, MI 48089